



Digital manometer DC 400

With integrated bar graph display

Accuracy 0.5%



Description

This digital manometer is the ideal solution for local digital display independent of the mains. The integrated battery allows measurements to be made independent of a fixed source of power.

Accuracy, reliability and mechanical resilience make the digital manometer suitable pressure measurement tasks in numerous applications.

The stepped measuring ranges extend from 2 bar up to the high pressure range of 700 bar. For pressure ranges above 50 bar, the casing and parts that come into contact with the measuring medium are made of stainless steel and thus resistant to attack from chemically aggressive media.

The additional integrated bar graph display with a trailing pointer function shows the trend in current working pressure directly. The model 3962 comprises a further 4 ½-digit display for a direct readout of peak value, tare and other parameters. Internal lighting ensures the display is optimally lit for a clear readout even in unfavourable lighting conditions.

The buttons on the front are used for adjustment of the programmable parameters.

The digital manometer meets electromagnetic compatibility requirements (EMC) to EN 61326.

Features

- * Measuring ranges from 2 - 700bar
- * Fine step selection of nominal pressure ranges
- * LC-Display with numerals 11mm high
- * Bar graph display with a trailing pointer function
- * Tare function
- * Password protection
- * MIN/MAX-memory
- * High overload protection

Measuring ranges

Overpressure
positive 0...2 bar to 0...700 bar

Areas of use

Machine construction
Plant and apparatus construction
Hydraulics, pneumatics
Measuring equipment monitoring

Model: 3961

Technical data

Series	3961
Display Range	7-segment LCD display, 11mm high 9999 digit Bar graph display
Accuracy	0.5% of FS ± 1 digit ¹⁾
Conversion rate	5 /sec
Measuring ranges to EN	0...2 bar to 0...700 bar, more on request
Type of pressure	positive overpressure, negative overpressure
Overload limit	2-fold, max. 1000 bar
Parts in contact with measuring medium	Measuring ranges ≤ 50 bar stainless steel; alumina; NBR, ceramic measuring cell Measuring ranges ≥ 100 bar stainless steel only, thin-film type measuring cell
Pressure union	G 1/4 B, 1/4 NPT others on request
Stability per year	≤ ± 0,2 % of FS under reference conditions
Peak value memory	MIN / MAX
Progr. parameters tare	without
autom. turn-off time	without, option 2...90 min. factory set
measuring unit	bar, PSI MPa adjustable
Display lighting	without
Voltage supply	2 x 1.5V round cell AA
service life	4000 hrs (AA 2000 mAh)
Temperature comp. range	0... 60°C
Temperature influence	
Zero point	≤ ± 0.15% /10 K
Measuring span	≤ ± 0.15% /10 K
Degree of protection	IP 65 to EN 60529/IEC 529
perm. rel. humidity	< 90%, non-condensing
Emitted interference ²⁾	to EN 61326
Interference immunity ²⁾	to EN 61326
Temperature ranges	
Storage	-20 70 °C
Measured medium	-30 85 °C (-30 ... 100°C with measuring range ≥ 100 bar)
Ambient	-10 60 °C
Case	Stainless steel, option protective cap black
Weight	Approx. 0.4 kg

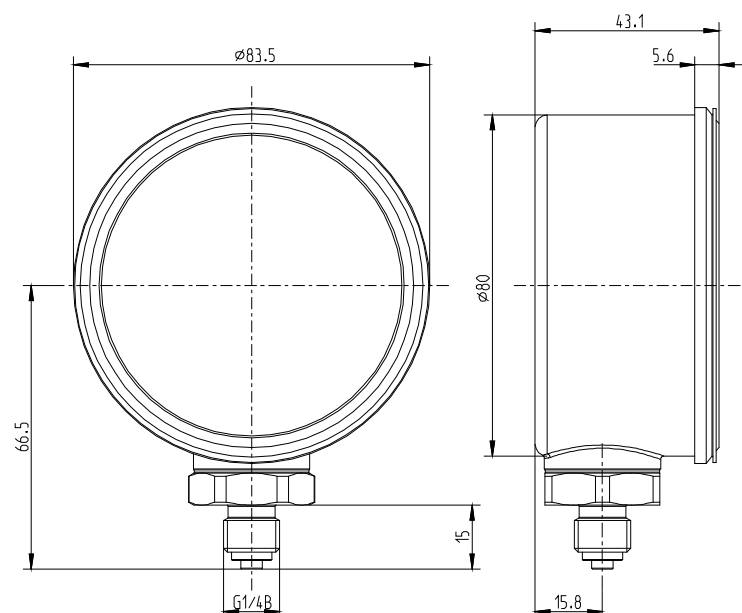
FS = full-scale reading

¹⁾ Meas. deviation accord. to IEC 61298-2, including non-linearity, hysteresis, zero-point and final value deviation.

²⁾ Declaration of conformity on request

Dimensions (mm)

Case



Subject to change without prior notice